



BENG CHUAN MACHINE PTE LTD

Add : 10 Admiralty Street #04-82 Northlink Singapore 757695

TEL : 6368 1583 Email : bcms1993@singnet.com.sg

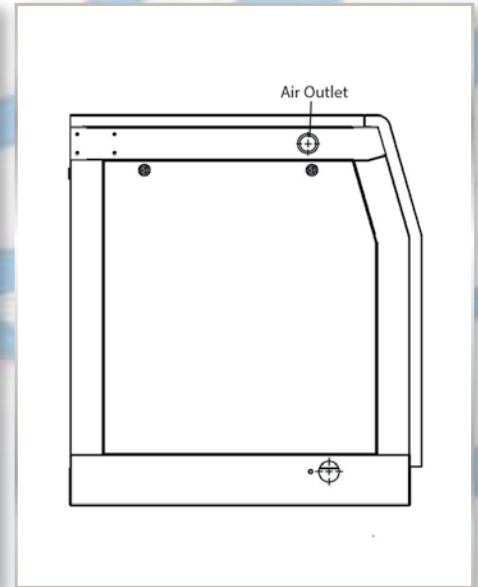
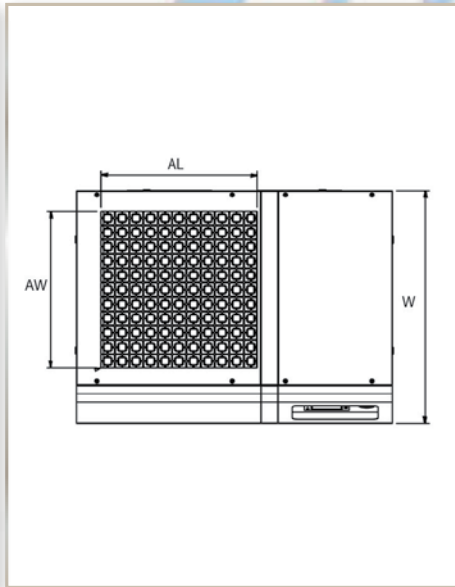
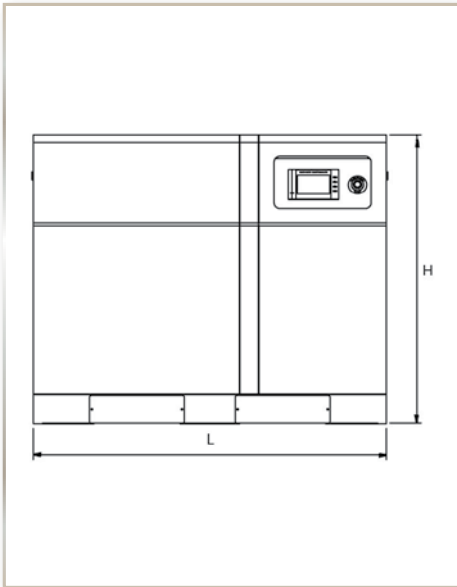
Fax : 6853 7372 Website : www.bengchuan.com

DHF – PM SERIES PERMANENT MAGNET MOTOR INVERTER SCREW AIR COMPRESSOR

- Low noise cooling fan generates a laminar, high volume, low speed cooling air flow at extremely low noise levels
- Low temperature rise
- High efficiency PM motor
- Wider frequency range and open-loop vector control
- Due to intelligent inverter technology, PM VFD air compressor saves energy up to 42%
- Intelligent control system
- Fault detection and protection of micro-computer controller
- Simple installation and easy to operate
- Less maintenance and operation cost



DHF – PM SERIES PERMANENT MAGNET MOTOR INVERTER SCREW AIR COMPRESSOR



DHF – PM Series Permanent Magnet Motor Inverter Screw Air Compressor

Model		DHF-10PM	DHF-15PM	DHF-20PM	DHF-30PM	DHF-40PM	DHF-50PM
Motor Power	KW	7.5	11	15	22	30	37
	Hp	10	15	20	30	40	50
Free Air Delivery (m ³ /min) / Discharge Pressure (bar)	7 bar ~ 10 bar	0.36 - 1.35	0.46 - 1.8	0.8 - 2.6	1.0 - 3.8	1.3 - 5.2	1.9 - 6.8
Noise (dB(A))		62±2	63±2		64±2	65±2	
Cooling Mode		Air Cooling					
Starting Method		Inverter soft start					
Driving Way		Direct Driven					
Dimension (mm)	L	900	1000		1170	1293	
	W	630	720		860	980	
	H	785	840		955	1075	
	AL	366.5	472.5	-	578.5	-	-
	AW	313.5	419.5	-	578.5	-	-
Weight (kg)		180	286	400	450	580	610
Lubricant (L)		4	9		16	20	
Air Outlet Pipe		Ø½"	Ø1"	Ø1¼"		Ø1½"	