



BENG CHUAN MACHINE PTE LTD

Add : 10 Admiralty Street #04-82 Northlink Singapore 757695

TEL : 6368 1583 Email : bcms1993@singnet.com.sg

Fax : 6853 7372 Website : www.bengchuan.com

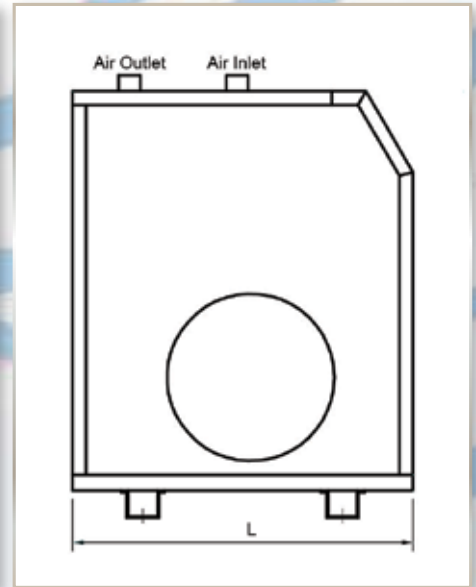
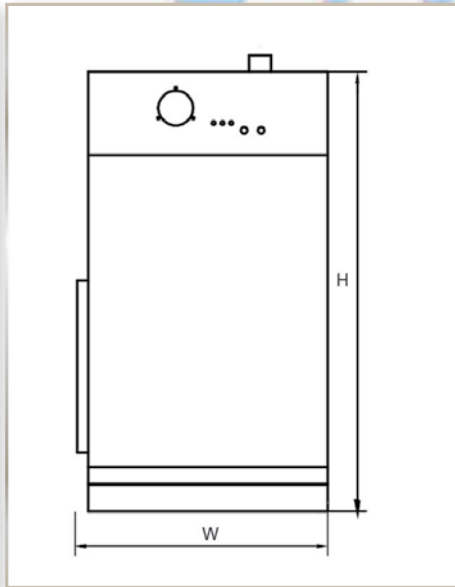
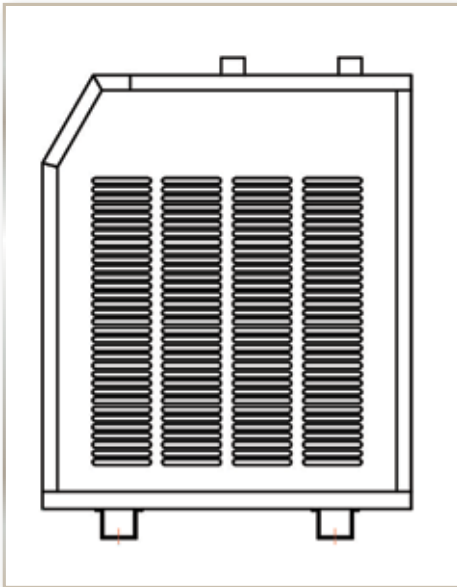
KDL SERIES INTERNAL ALUMINIUM TYPE REFRIGERATION DRYER

- KDL aluminium heat exchanger refrigerated air dryer
- Nominal pressure dew-point: 2-10 Deg.C (under rated conditions)
- Rated operating pressure: 0.7MPa
- Operating pressure range: 0.4 - 1.4MPa
- Rated inlet temp: 38 Deg.C
- Max inlet temp: 45 Deg.C
- Rated ambient temp: 2 - 38 Deg.C
- Max allowable ambient temp: 45 Deg.C
- Pressure drop: ≤ 0.02 MPa (rated operating pressure is under 0.7MPa)
- Refrigerant: R134a / R407c



*Picture for illustration purposes only

KDL SERIES INTERNAL ALUMINIUM TYPE REFRIGERATION DRYER



KDL Series Internal Aluminium Type Refrigeration dryer Technical Specification

Model	Flow Rate (m ³ / min)	Power Consume (kw)	Maximum Working Pressure (MPa)	Dimension (mm)			Weight (kg)	Connection	Refrigerant
				L	W	H			
KDL-5F	0.70	0.45	1.4	500	415	670	30	½"	R134a
KDL-10F	1.60	0.47	1.4	500	415	710	45	1"	R134a
KDL-20F	2.60	0.85	1.4	630	450	820	50	1"	R407c
KDL-30F	3.80	1.04	1.4	630	450	820	55	1"	R407c
KDL-50F	6.00	1.65	1.4	770	530	920	70	1½"	R407c
KDL-60F	7.00	1.65	1.4	820	530	920	80	1½"	R407c
KDL-75F	8.50	1.67	1.4	870	580	920	90	1½"	R407c
KDL-100F	11.50	2.05	1.4	900	580	900	120	2"	R407c
KDL-120F	13.50	2.30	1.4	950	830	1280	140	2"	R407c
KDL-150F	17.00	2.43	1.4	950	830	1320	175	2"	R407c
KDL-200F	23.00	3.28	1.4	950	830	1320	210	2"	R407c